
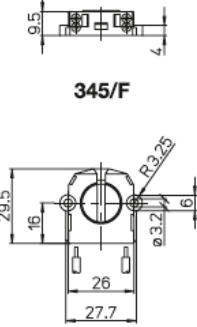

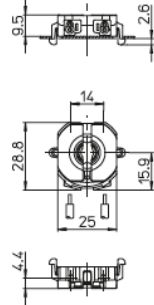

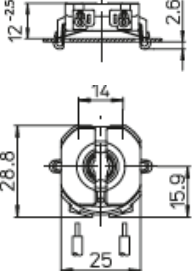

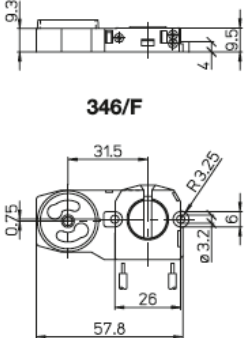

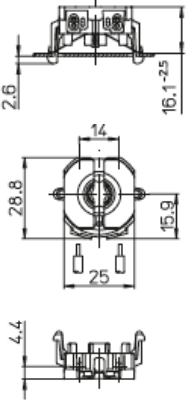

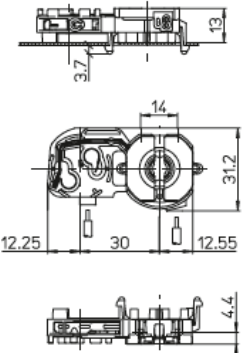

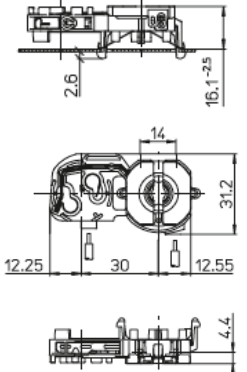


6. Button Lamp Holders and 2D Lamp Holders


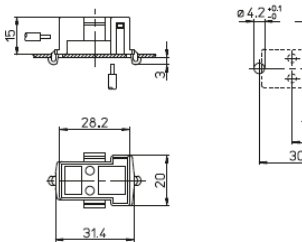

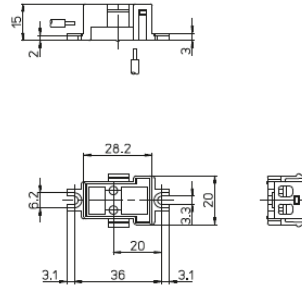

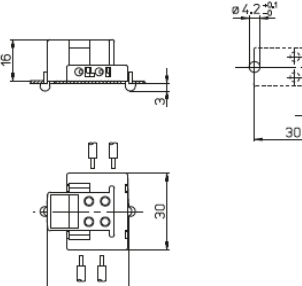

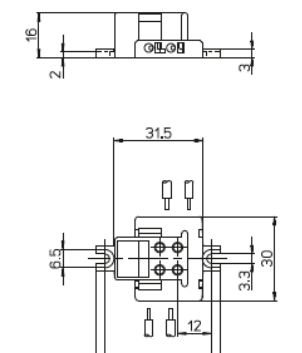
BUTTON LAMP HOLDERS

IMAGE	CATALOG NUMBER	LAMP DIA.	STARTER SOCKET	DIMENSIONS	FIXING METHOD	TERMINALS	PACK QTY	TRADE PRICE EACH
	BHF345/F	T8 & T12	NO		SCREW	PUSHWIRE	50	\$2.34
	BHF345/FAU	T8 & T12	NO		REAR AUTO CLAMP PINS	PUSHWIRE	50	\$2.34
	BHF345/MAU	T8 & T12	NO		REAR AUTO CLAMP PINS	PUSHWIRE	50	\$2.42
	BHF346/F	T8 & T12	YES		SCREW	PUSHWIRE	50	\$3.80

E.V.E. LITECOM – SECTION 7 – LAMP HOLDERS & CONNECTORS

IMAGE	CATALOG NUMBER	LAMP DIA.	STARTER SOCKET	DIMENSIONS	FIXING METHOD	TERMINALS	PACK QTY	TRADE PRICE EACH
	BHF347/MAU	T8 & T12	NO		REAR AUTO CLAMP PINS WITH SPRING CLIP	PUSHWIRE	50	\$2.50
	BHF348/FAU	T8 & T12	YES		REAR AUTO CLAMP PINS	PUSHWIRE	50	\$4.25
 INDENT ITEM MOQ 200 PIECES	BHF348/MAU	T8 & T12	YES		REAR AUTO CLAMP PINS WITH SPRING CLIP	PUSHWIRE	50	\$4.25

2D LAMP HOLDERS

IMAGE	CATALOG NUMBER	DIMENSIONS	FIXING METHOD	FIXING LOCATION	PACK QUANTITY	TRADE PRICE EACH
	TDF411/AU		PIN	BASE	50	\$3.01
	TDF411/V		SCREW	BASE	50	\$3.01
	TDF412/AU		PIN	BASE	50	\$3.96
	TDF412/V		SCREW	BASE	50	\$3.96

FOR EASIER TO READ DIMENSIONS

PLEASE REFER TO WEBSITE