

## 5. Starter Holders and Lamp Supports

### STARTER HOLDERS (PUSHWIRE CONNECTION)


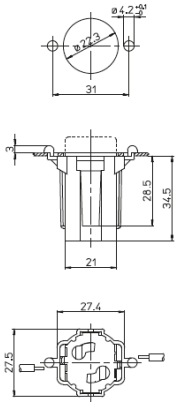

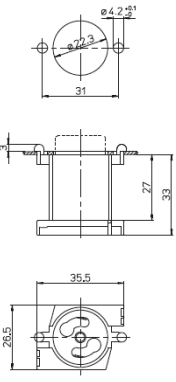

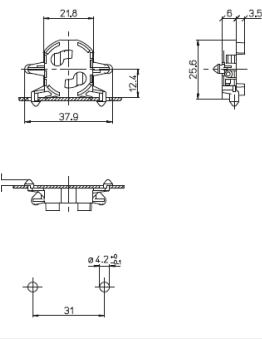

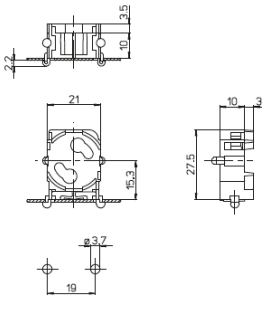

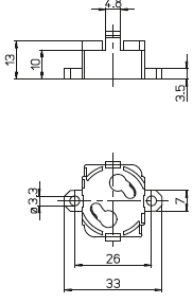

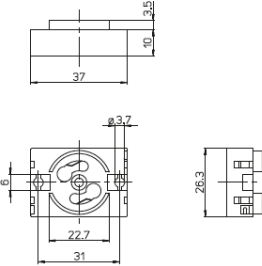

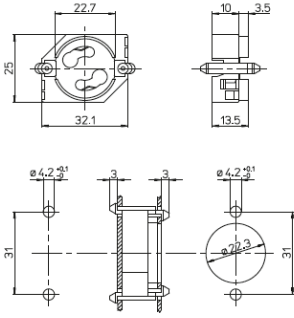
IMAGE	CATALOG NUMBER	FIXING METHOD	FIXING LOCATION	DIMENSIONS	PACK QUANTITY	TRADE PRICE EACH
	STH11X	AUTO CLAMP PINS	TOP		100	\$2.51
	STH12	AUTO CLAMP PINS	TOP		100	\$2.51
	STH15	AUTO CLAMP PINS	BASE OR SIDE		100	\$2.51
	STH16AL	AUTO CLAMP PINS	BASE OR SIDE		100	\$2.02

IMAGE	CATALOG NUMBER	FIXING METHOD	FIXING LOCATION	DIMENSIONS	PACK QUANTITY	TRADE PRICE EACH
	STH16V	SCREW	BASE		100	\$2.02
	STH17V	SCREW OR RIVOT	BASE		50	\$1.71
	STH19	AUTO CLAMP PINS	BASE OR TOP		50	\$1.71



TOOL CLIPS POLYCARBONATE


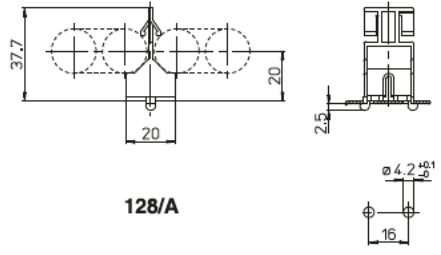

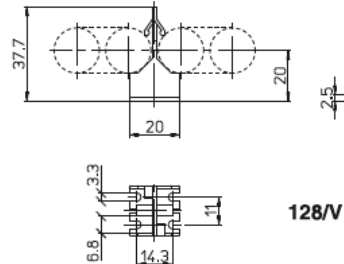

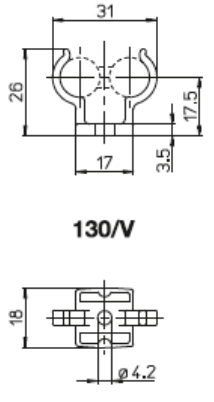

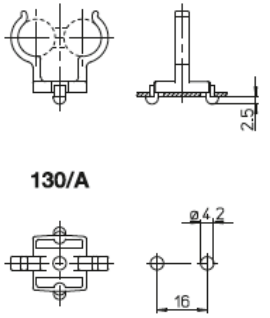
IMAGE	CATALOG NUMBER	DIMENSIONS	LAMP TYPE	FIXING METHOD	PACK QUANTITY	TRADE PRICE EACH
	TCP128/A	 <p style="text-align: center;"><b>128/A</b></p>	2G10	2 AUTO CLAMP PINS	200	\$0.89
	TCP128/V	 <p style="text-align: center;"><b>128/V</b></p>	2G10	SCREW	200	\$0.89
	TCP130/V	 <p style="text-align: center;"><b>130/V</b></p>	G23	SCREW	200	\$0.61
	TCP130/A	 <p style="text-align: center;"><b>130/A</b></p>	G23	2 AUTO CLAMP PINS	200	\$0.61


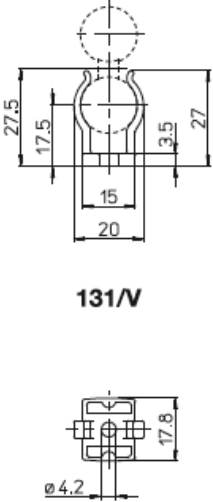

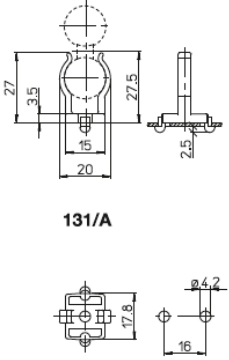

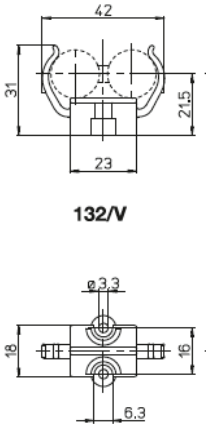

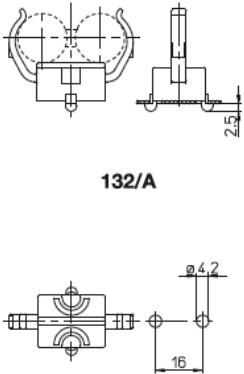

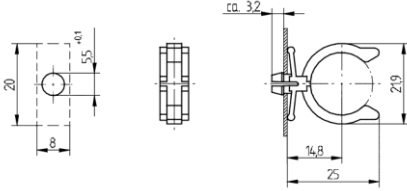

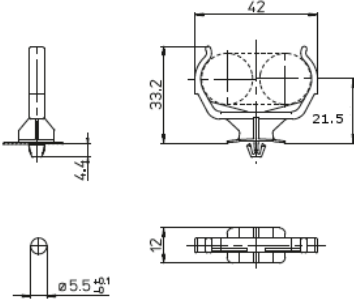

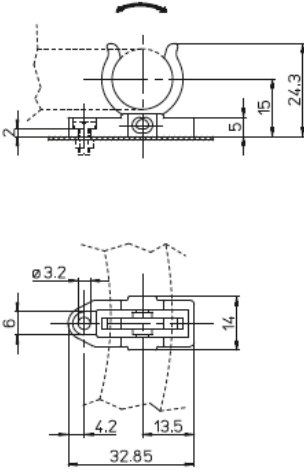
IMAGE	CATALOG NUMBER	DIMENSIONS	LAMP TYPE	FIXING METHOD	PACK QUANTITY	TRADE PRICE EACH
	TCP131/V		2G11	SCREW	200	\$0.68
	TCP131/A		2G11	2 AUTO CLAMP PINS	200	\$0.68
	TCP132/V		2G11	SCREW	200	\$0.68

IMAGE	CATALOG NUMBER	DIMENSIONS	LAMP TYPE	FIXING METHOD	PACK QUANTITY	TRADE PRICE EACH
	TCP132/A	 <p style="text-align: center;"><b>132/A</b></p>	2G11	2 AUTO CLAMP PINS	200	\$0.68
	TCP267/A		2G11	1 AUTO CLAMP PIN	500	\$1.95
	TCP1132		2G11	1 AUTO CLAMP PIN	500	\$1.95
	TCP135/V		T5 CIRC.	SCREW	200	\$1.95