

4. Round Lamp Holders and Circular Fluorescent Lamp Holders

ROUND LAMP HOLDERS


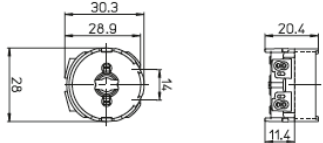


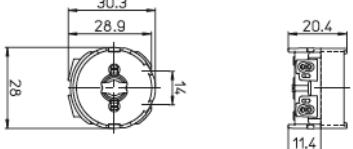

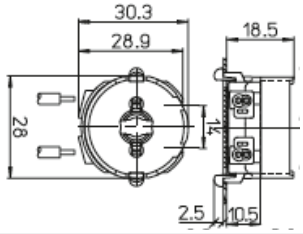

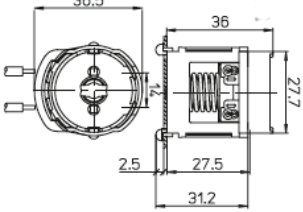

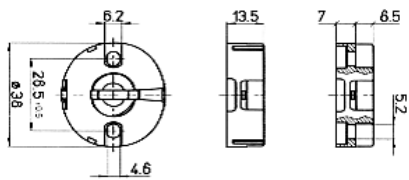

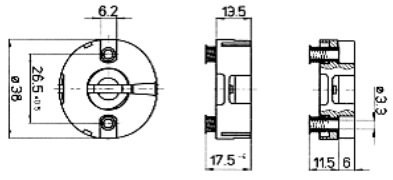
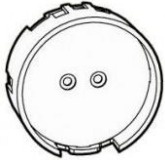
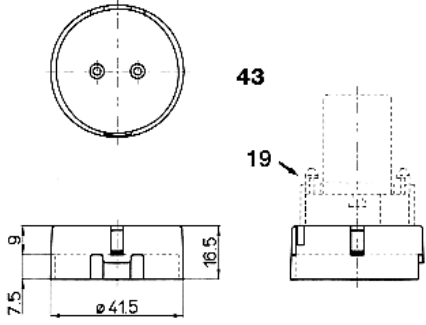
IMAGE	CATALOG NUMBER	DIMENSIONS	FIXING METHOD	TERMINALS	PACK QUANTITY	TRADE PRICE EACH
	RLF140		PUSH ON TO LAMP PINS	PUSHWIRE	50	\$1.83
	RLF140C		PUSH ON TO LAMP PINS	PUSHWIRE	50	\$2.93
	RLF142		PUSH ON TO LAMP PINS	PUSHWIRE	50	\$2.02
	RLF142/FAU		REAR AUTO CLAMP PINS	PUSHWIRE	50	\$3.97
	RLF142/MAU		REAR AUTO CLAMP PINS WITH SPRING	PUSHWIRE	50	\$3.97
	RLF147		SCREW FIXING	SCREW	50	\$4.83
	RLF147M		SCREW FIXING WITH SPRINGS	SCREW	50	\$4.84

IMAGE	CATALOG NUMBER	DIMENSIONS	FIXING METHOD	TERMINALS	PACK QUANTITY	TRADE PRICE EACH
	RLF43 T12 LAMPS ONLY	 T12	COMES WITH SCREWS	SCREW	50	\$1.90

CIRCULAR FLOURESCENT LAMP HOLDERS


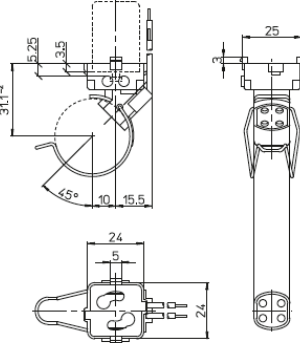

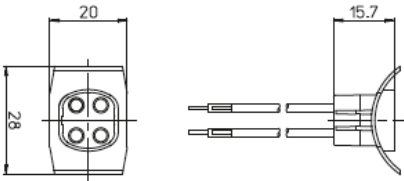

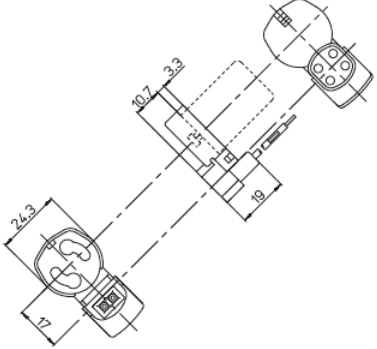

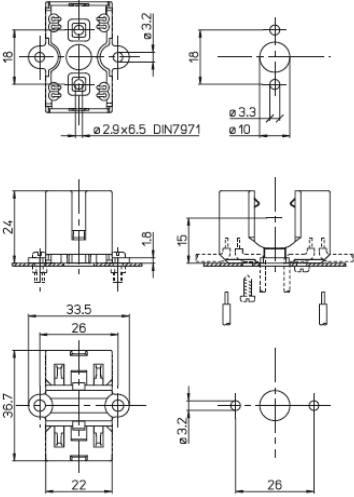
IMAGE	CATALOG NUMBER	DIMENSIONS	FIXING METHOD	STARTER SOCKET	TERMINALS	PACK QUANTITY	TRADE PRICE EACH
	CFT179		PUSH ON TO LAMP PINS PLUS SUPPORT CLIP	YES	REAR TAILS	50	\$5.32
	CFT184		PUSH ON TO LAMP PINS	NO	REAR TAILS	50	\$3.61
	CFT189/105		PUSH ON TO LAMP PINS	YES	REAR TAILS	50	\$4.71

IMAGE	CATALOG NUMBER	DIMENSIONS	FIXING METHOD	STARTER SOCKET	TERMINALS	PACK QUANTITY	TRADE PRICE EACH
	CFT190/V		SCREW	NO	PUSHWIRE	50	\$4.71